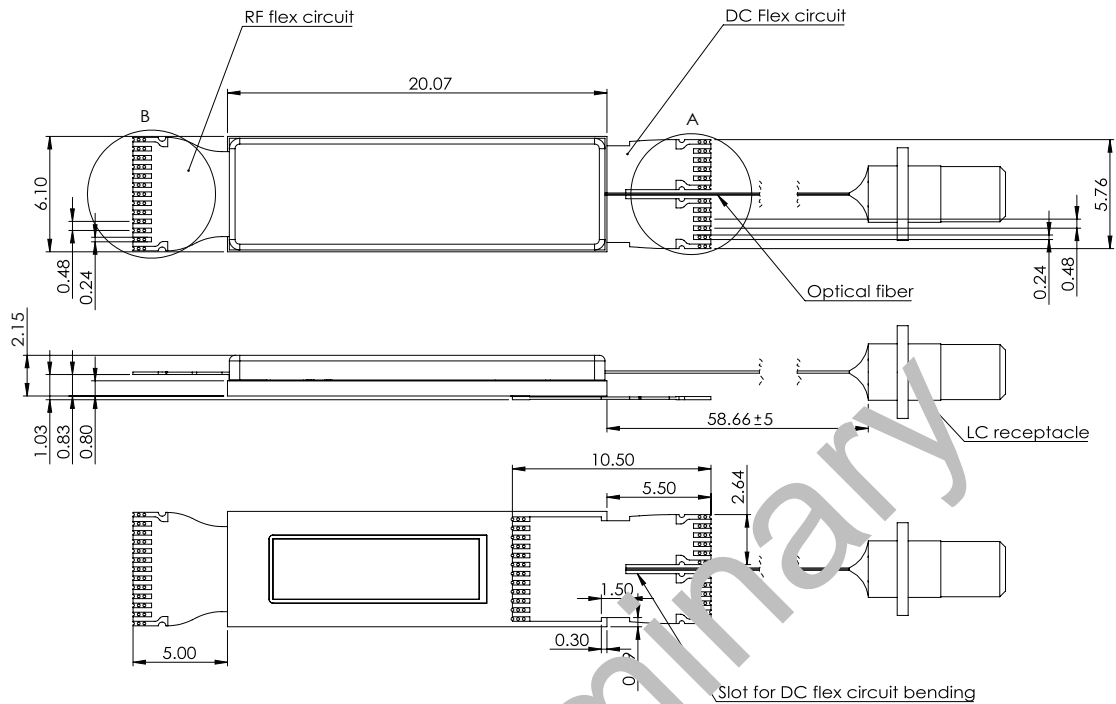
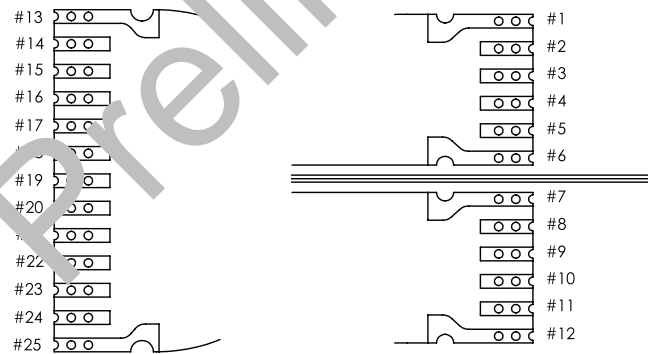


Dimensions



Unit: mm



Pin Configuration

Pin#	Symbol	Pin#	Symbol	Pin#	Symbol	Pin#	Symbol
1	VCC	8	SDA	15	OUTN(4)	22	GND
2	RSSI4	9	SCL	16	GND	23	OUTP(1)
3	RSSI3	10	RSSI2	17	OUTP(3)	24	OUTP(1)
4	RX_DIS	11	RSSI1	18	OUTN(3)	25	GND
5	NOTINT	12	GND	19	GND		
6	CONF2	13	GND	20	OUTP(2)		
7	CONF1	14	OUTP(4)	21	OUTN(2)		

OptiWorks Headquarters

OptiWorks, Inc.
47211 Bayside Parkway, Fremont, CA 94538, USA
Phone +1 510 438 4560
sales@optiworks.com
www.optiworks.com

OptiWorks (Kunshan) Co., Ltd.

No. 168, Nanhe Rd., Kunshan Economic & Technology Development Zone, Kunshan City, Jiangsu 215300, China
Phone +86 512 5763 0863
contact@optiworks.com

© 2020 BizLink Group. All rights reserved.
BizLink, OptiWorks, and other trademarks are the trademarks of BizLink Group or its subsidiaries.
Performance is based on target specifications, simulated results, and/or prototype measurements. Commitment to develop is not guaranteed.
Specifications are subject to change without prior notice. November 2020

OptiWorks (Shanghai) Co., Ltd.

Room 810-811, Changchun Business Building, No. 953 Qinzhou North Road, Shanghai 200233, China
Phone +86 021 6485 8787
contact@optiworks.com