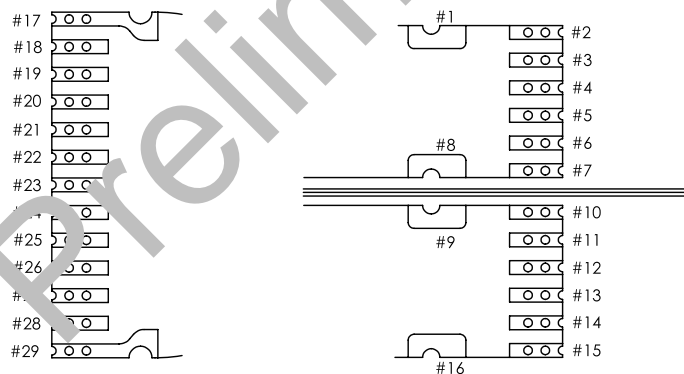
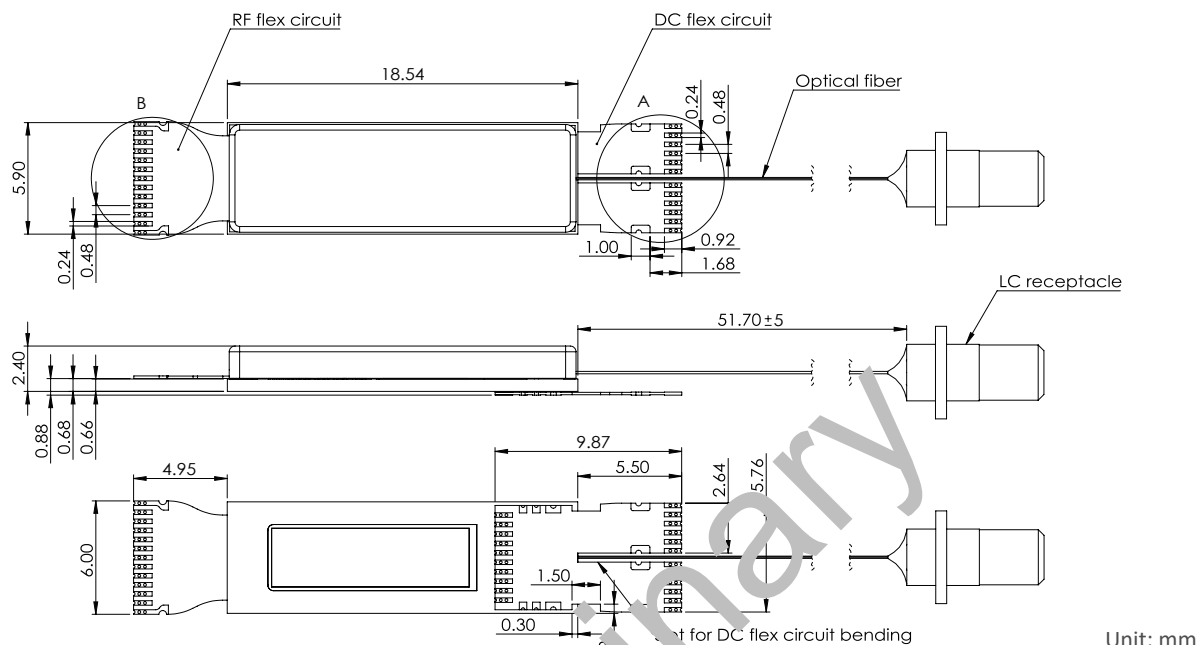


Dimensions



Pin Configuration

Pin#	Symbol	Pin#	Symbol	Pin#	Symbol	Pin#	Symbol
1	VCC	9	GND	17	GND	25	AP(2)
2	SCL	10	INT_B	18	AN(0)	26	GND
3	SDA	11	RESET	19	AP(0)	27	AN(1)
4	MPDP0	12	VPGM	20	GND	28	AP(1)
5	MPDP1	13	TX_DIS	21	AN(1)	29	GND
6	MPDP2	14	NC	22	AP(1)		
7	MPDP3	15	NC	23	GND		
8	GND	16	VCC	24	AN(2)		

OptiWorks Headquarters

OptiWorks, Inc.

47211 Bayside Parkway, Fremont, CA 94538, USA
Phone +1 510 438 4560
sales@optiworks.com
www.optiworks.com

OptiWorks (Kunshan) Co., Ltd.

No. 168, Nanhe Rd., Kunshan Economic & Technology
Development Zone, Kunshan City, Jiangsu 215300, China
Phone +86 512 5763 0863
contact@optiworks.com

© 2020 BizLink Group. All rights reserved.
BizLink, OptiWorks, and other trademarks are the trademarks of BizLink Group or its subsidiaries.
Performance is based on target specifications, simulated results, and/or prototype measurements. Commitment to develop is not guaranteed.
Specifications are subject to change without prior notice. November 2020

OptiWorks (Shanghai) Co., Ltd.

Room 810-811, Changchun Business Building,
No. 953 Qinzhou North Road, Shanghai 200233, China
Phone +86 021 6485 8787
contact@optiworks.com